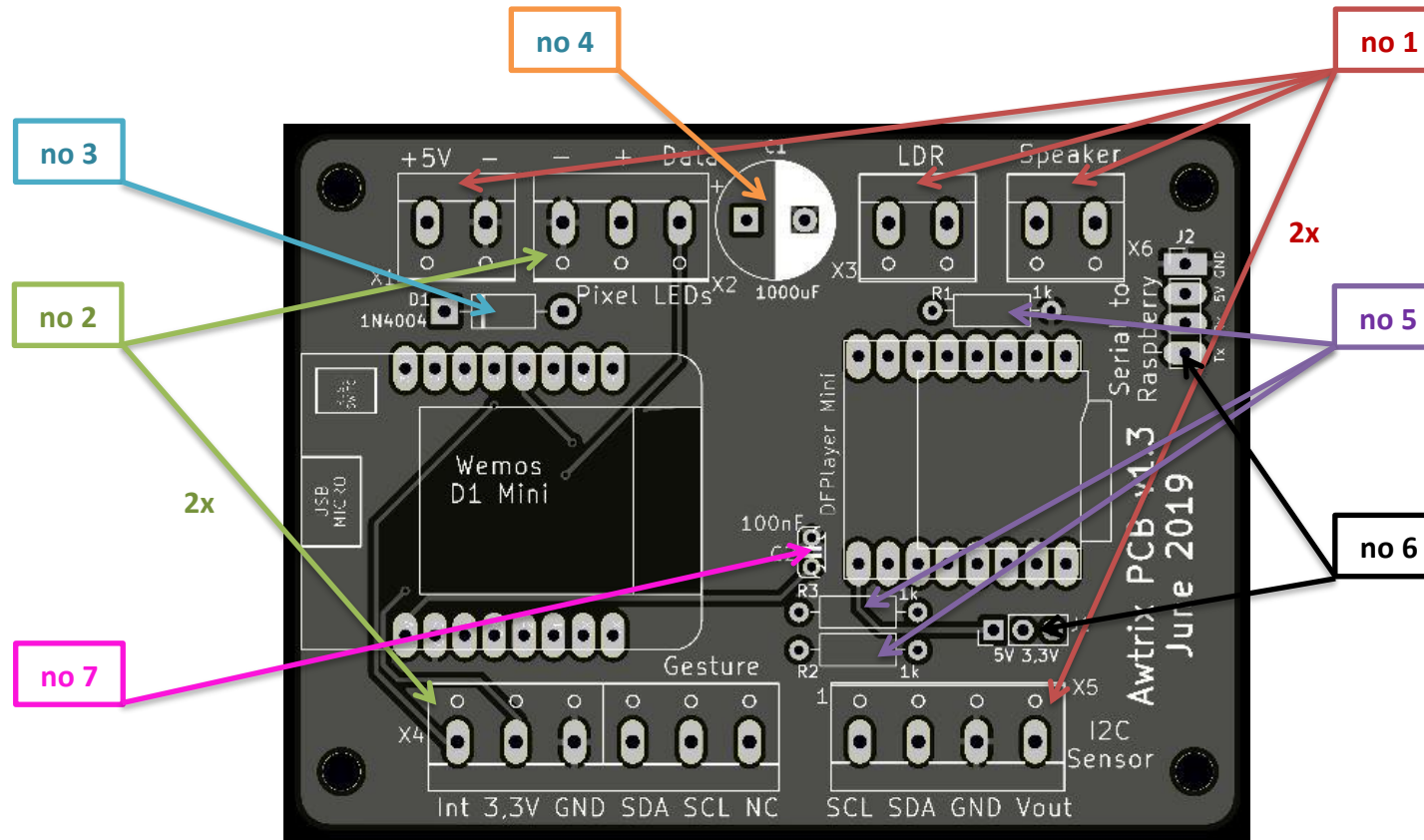


# Awtrix PCB manual

27.08.2019



no	pcs	name	partnumber (Reichelt.de)
1	5	terminal screw (2 pole)	RND 205-00012
2	3	terminal screw (3 pole)	205-00013
3	1	diode (1N4004)	1N 4004
4	1	capacitor (1000uF)	M-A 1000U 16
5	3	resistor (1k)	VIS C1001FC100
6	1	pinheader male (1x10)	MPE 087-1-010
7	1	capacitor (100nF)	KERKO 100N

# Awtrix PCB manual

27.08.2019